

Data sheet

Wireless M-Bus Dongle

- Interface between standard wired M-Bus and up to 4 wireless M-Bus meters
- Registers from wireless M-Bus are mapped to wired M-Bus
- Is configured with wM-Bus Dongle USB Tool and wM-Bus Dongle Software Tool



Wireless M-Bus Dongle

Features

- 868 MHz ISM band transceiver
- Bidirectional wireless communication link – one-way at C-mode, two-way at T-mode
- Wireless communication to up to 4 devices, complies with EN 13757-4 C-mode and T-mode
- Wireless M-Bus devices for Kamstrup heat, cooling and water are supported
- Quick and simple installation procedure of wireless connections
- Output power +10 dBm / Sensitivity -95 dBm
- Range 100 m line of sight
- Wired M-Bus connection [EN 13757-3]
- M-Bus powered only (using 7 unit loads)
- 0.5 m wire for wired M-Bus
- Fully DSRM V2.2 compliant on both wired and wireless ports
- AES encryption supported with independent keys for up to 4 devices
- Small form factor for easy installation
- Ambient temperature range -20 °C - +50 °C
- Cable length for installing up to 1,000 m (according to EN 13757-2)
- Complies with ETSI EN 300 220-1
- CE R&TTE Approval
- IP54, indoor use only
- Prefixed baud rate
- When integrated with Kamstrup M-Bus Master 250D, up to 18 dongles type 6697-123 can be connected to the same M-Bus Master.

Transmitted information

E.g. MULTICAL® 21

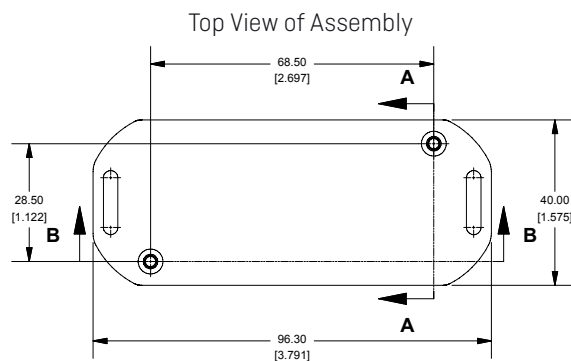
Current meter count

Meter count on the first day of the current month. Alternatively, max flow in the last completed month.

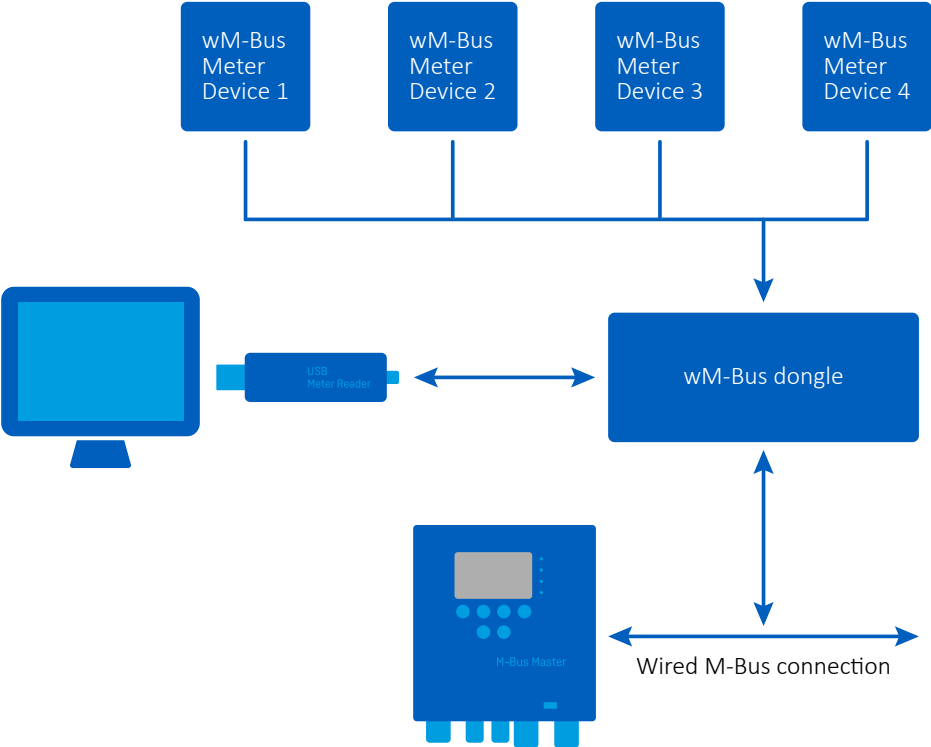
List of active info codes, including list of info codes that have been active within the last 30 days.

Hour counter

Dimensions



Principal connection diagram



Wireless M-Bus Dongle

Ordering information

Description

wM-Bus Dongle, Low inrush current

Type No.

6697-123

Accessories

wM-Bus Dongle USB Tool

6697-121

wM-Bus Dongle Software Tool

6697-122 (download at www.kamstrup.com)

Kamstrup A/S

Industrivej 28, Stilling
DK-8660 Skanderborg

T: +45 89 93 10 00

F: +45 89 93 10 01

info@kamstrup.com

kamstrup.com