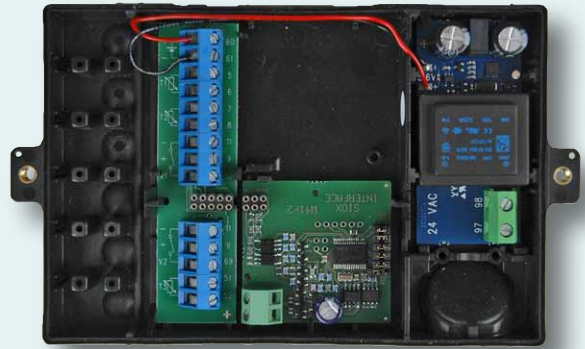


# SIOX module for MULTICAL® 602

## DATA SHEET

- Unpolarized 2-wire bus
- SIOX is opto-isolated from the meter
- Converts KMP into SIOX
- Fixed or Auto-detect baud rate
- Communication from 300 to 19200 baud.
- Is usable in more types of MULTICAL®



## Application

The SIOX module is partly developed for MULTICAL® 602 and partly as a general module that can be used in a number of Kamstrup meters such as MULTICAL® 61/601/602/801.

The module is easily mounted in the module area of the meter, and after installation, it is possible to read meter data via the SIOX bus.

The SIOX module is power supplied by the SIOX bus, and therefore, the supply of the meter is not affected by the module.

As the SIOX module is able to update its data from the meter at short intervals, the power supply of the meter for data consumption via the optical isolation can be too high for battery operation. Therefore, the SIOX module must be used in mains supplied meters only.

The address of the SIOX module can be chosen on a number of jumpers on the module. When these jumpers are set to an invalid address (all 6 jumpers are either open or closed),

the module will change to the address that is saved in the EEPROM of the module. The SIOX module does not collect its set-up from the connected MULTICAL®.

The SIOX module can, via the SIOX Tool, be set to Fixed baud rate from 300 to 19200 bits/sec., or the module can be used with Auto-detect baud rate from 300 to 4800 bits/sec.



# SIOX module for MULTICAL® 602

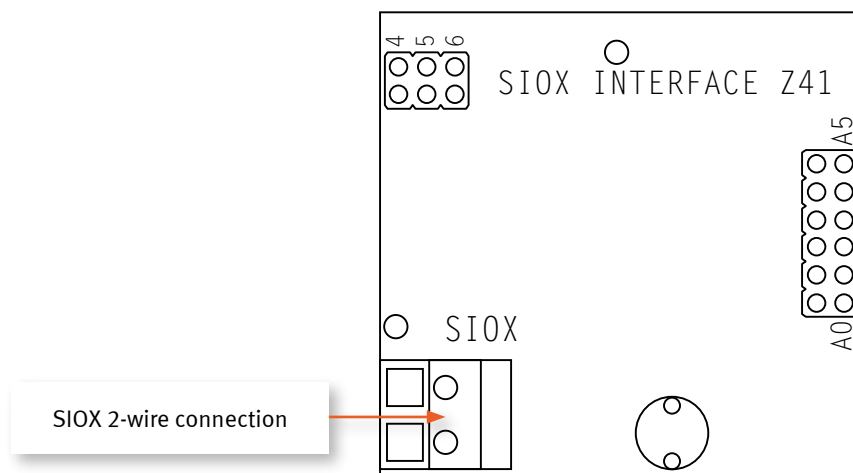
## DATA SHEET

### Data telegram

Position	Value	Function	Resolution
10	0000-FFFF	Forward temperature	0.01°C
11	0000-FFFF	Return temperature	0.01°C
12	0000-FFFF	Differential temperature	0.01°C
14	X000-xFFF	Actual flow	1 – 0.001 m³/h
16	0000-FFFF	Volume (V1) MSD	1 – 0.001 m³
17	0000-FFFF	Volume (V1) MSD	
1A	xx00-xxFF	Energy (V1) MSD	1 – 0.001 GJ, MWh, kWh
1B	0000-FFFF	Energy (V1) LSD	
1C	X000-xFFF	Actual power	1 – 0.01 MW, kW
1F	XXxx	Bus address	
20-21	0000-FFFF	Tariff limit TL2	
22-23	0000-FFFF	Tariff limit TL3	
2A-2B	0000-FFFF	Max. power	1 – 0.01 MW, kW
2C-2D	0000-FFFF	Max flow	1 – 0.001 m³/h
30-31	0000-FFFF	Tariff register 2	
32-33	0000-FFFF	Tariff register 3	
34-35	0000-FFFF	Input A (VA)	
36-37	0000-FFFF	Input B (VB)	

The above table shows the most important data values that can be transferred from the KMP protocol of the meter to the SIOX communication. See the Kamstrup manual 5512-927 for a complete overview and for additional technical information about the SIOX module.

### Connection



# SIOX module for MULTICAL® 602

## DATA SHEET

### Technical data

---

#### Electrical data

Bus power	10...30 VDC, typically 18 VDC
Unit load	Typically 1.2 mA

#### Mechanical data

Dimensions	43 x 44 mm
Ambient temperature	0...60°C

#### Marking/approvals

The SIOX module is included in the MID type certificate of MULTICAL® 602.

### Ordering

---

Description	Type No.
SIOX module (Auto-detect of baud rate)	602-00-64-000-000