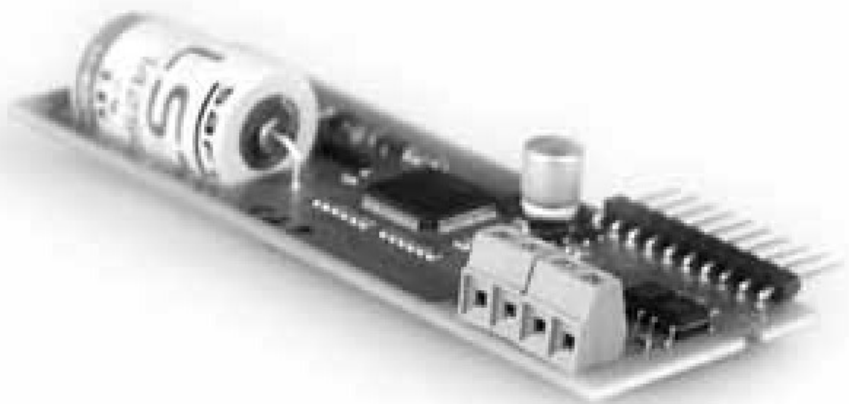


# Data logger top module

## Installation instructions



Kamstrup A/S

Industrivej 28, Stilling, 8660 Skanderborg

TEL: -45 89 93 10 00 · FAX: -45 89 93 10 01

[info@kamstrup.com](mailto:info@kamstrup.com) · [www.kamstrup.com](http://www.kamstrup.com)

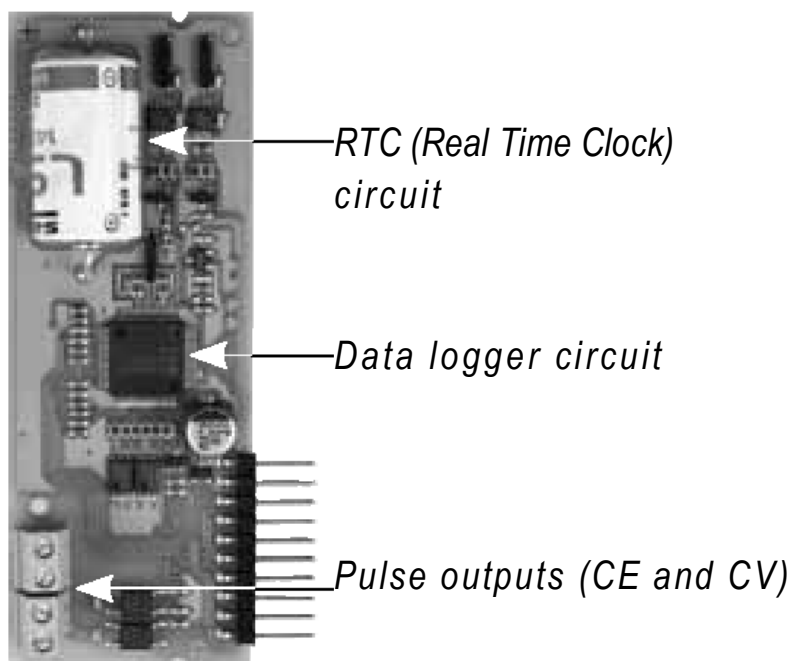
# ENGLISH

## In general

---

These instructions describe the installation of Kamstrup's data logger top module 670B 0000 0000 for MULTICAL<sup>®</sup> 601.

The module is here shown without its usual "packing".



# Survey of terminals

---

Terminal 16	CE +	Energy pulse
Terminal 17	CE -	Energy pulse
Terminal 18	CV +	Volume pulse
Terminal 19	CV -	Volume pulse

Normally energy (CE) is connected to terminals 16 and 17 and Volume (CV) is connected to terminals 18 and 19, but other combinations can be selected by means of the Pc Program, METERTOOL, which can also be used for selecting pulse widths 32 or 100 ms.

5512611\_AI\_GB-DK-DE-SE\_08.2008